

Moldable Frame for Emergency Toilets

Design Concept

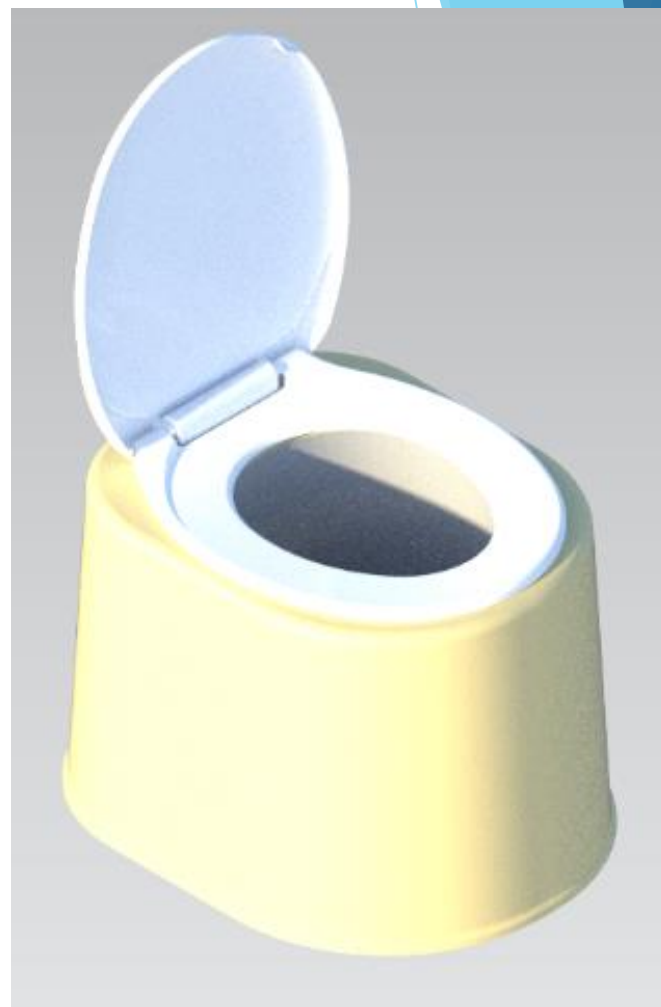
Prepared by:Christian Hidalgo

1. Propose Design

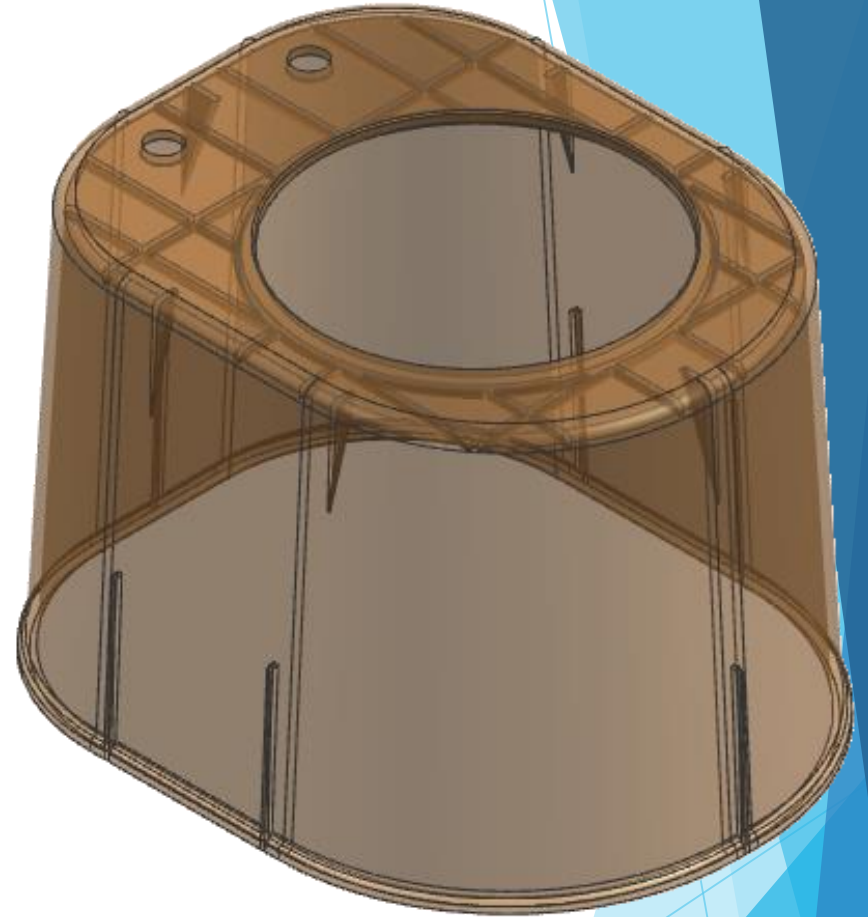
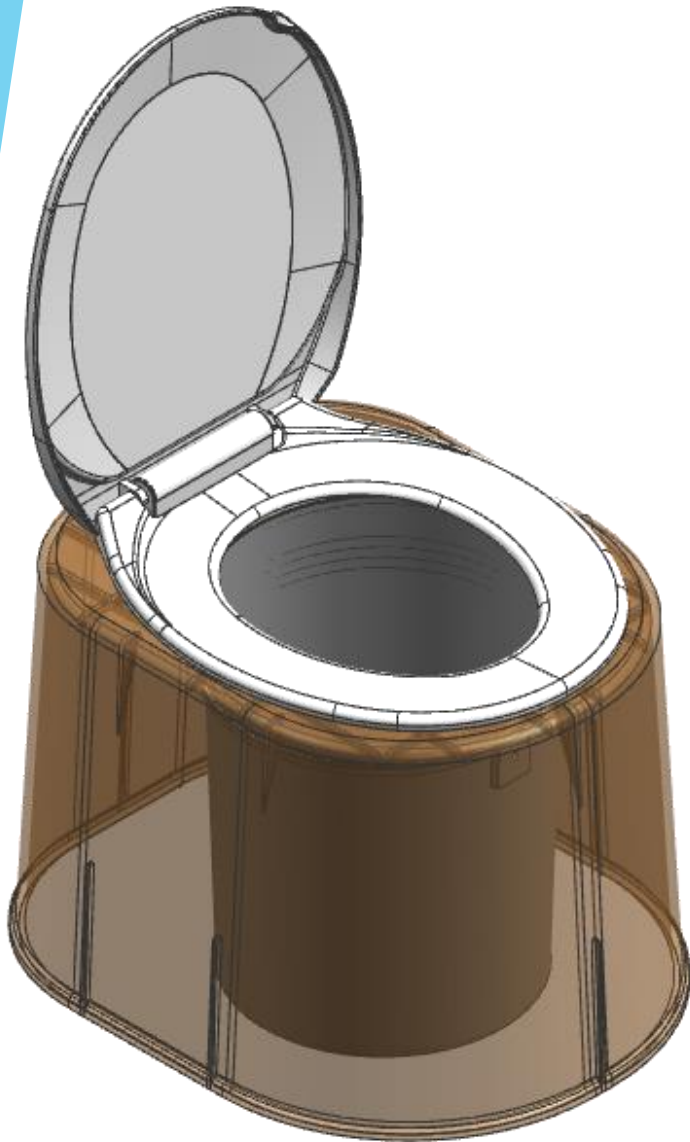
Current Design



Propose Design

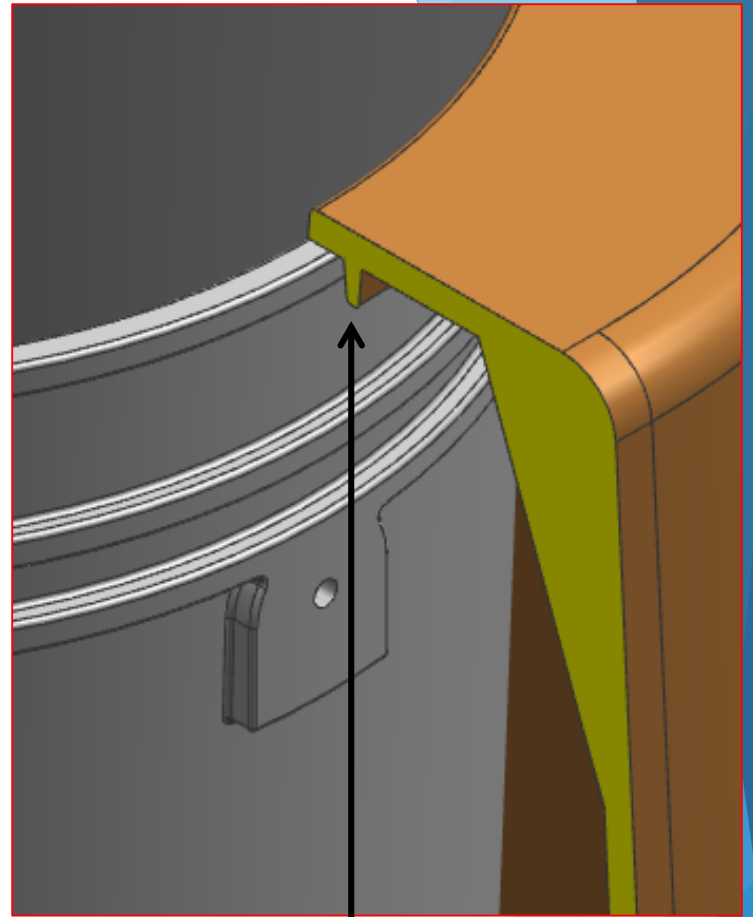
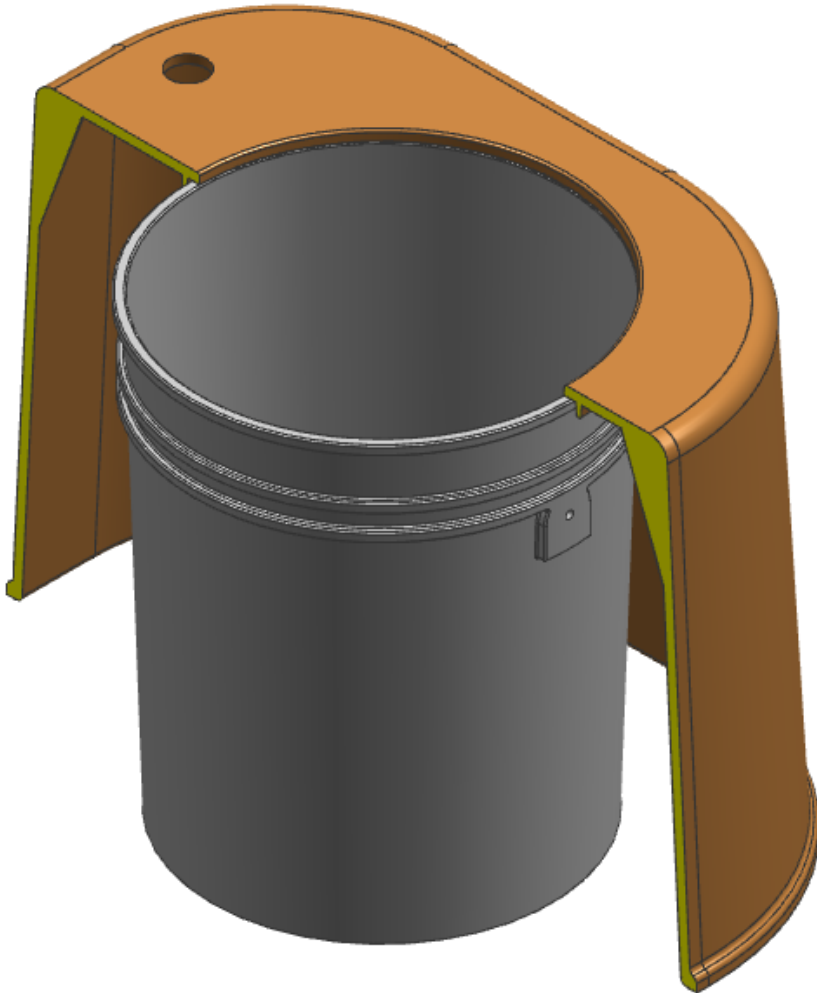


2.Propose Design



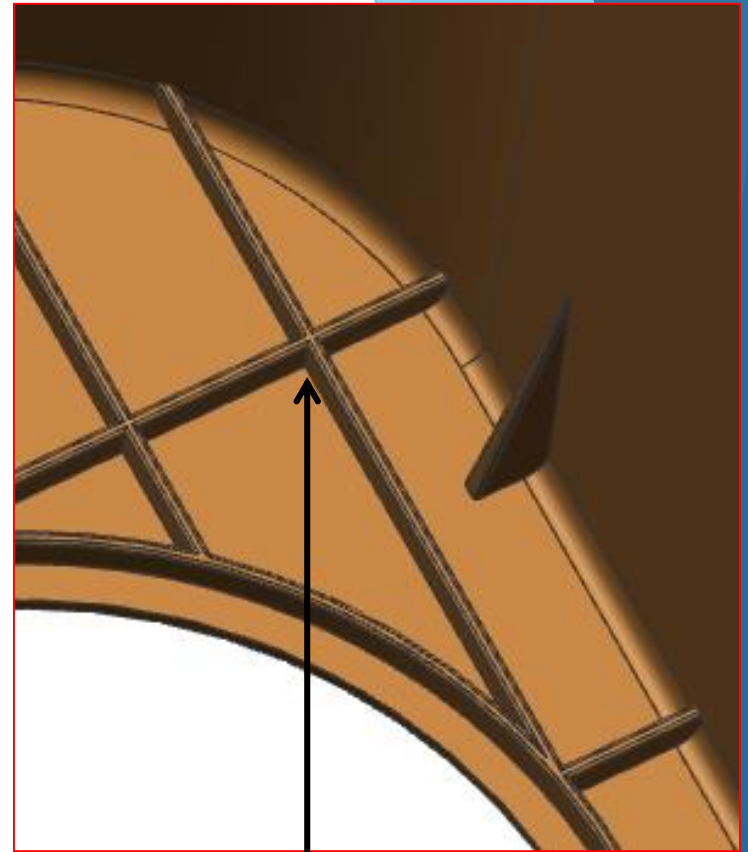
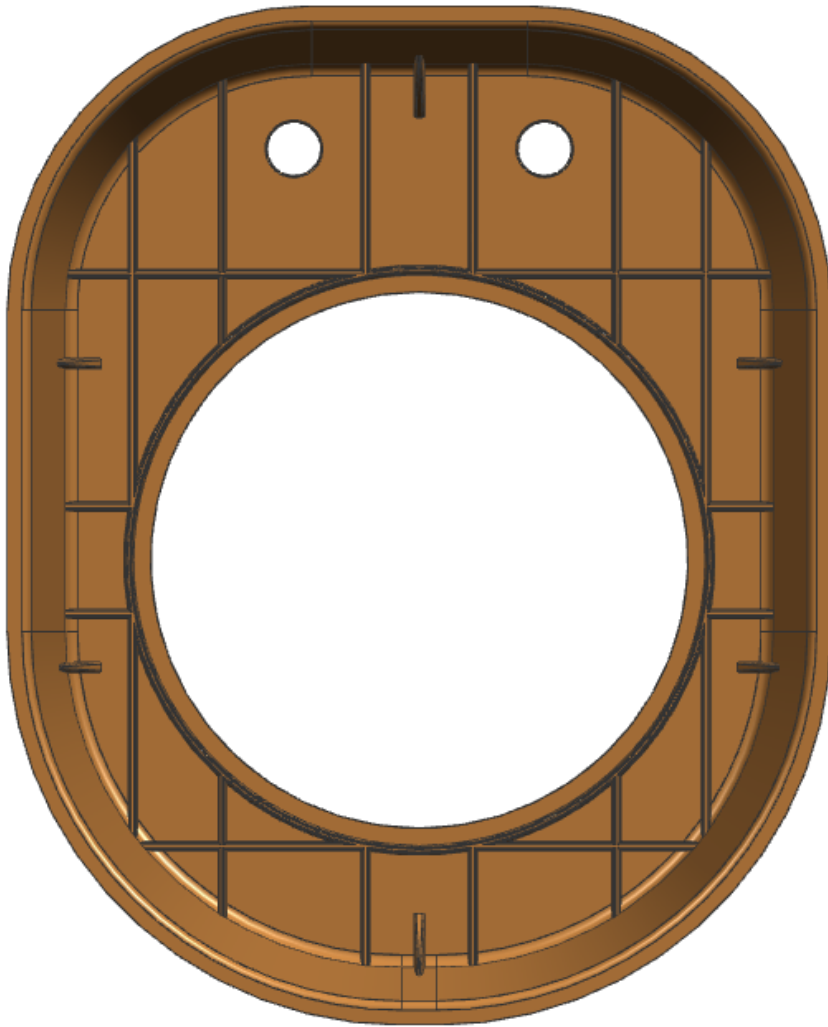
Moldable plastic frame

3.Propose Design



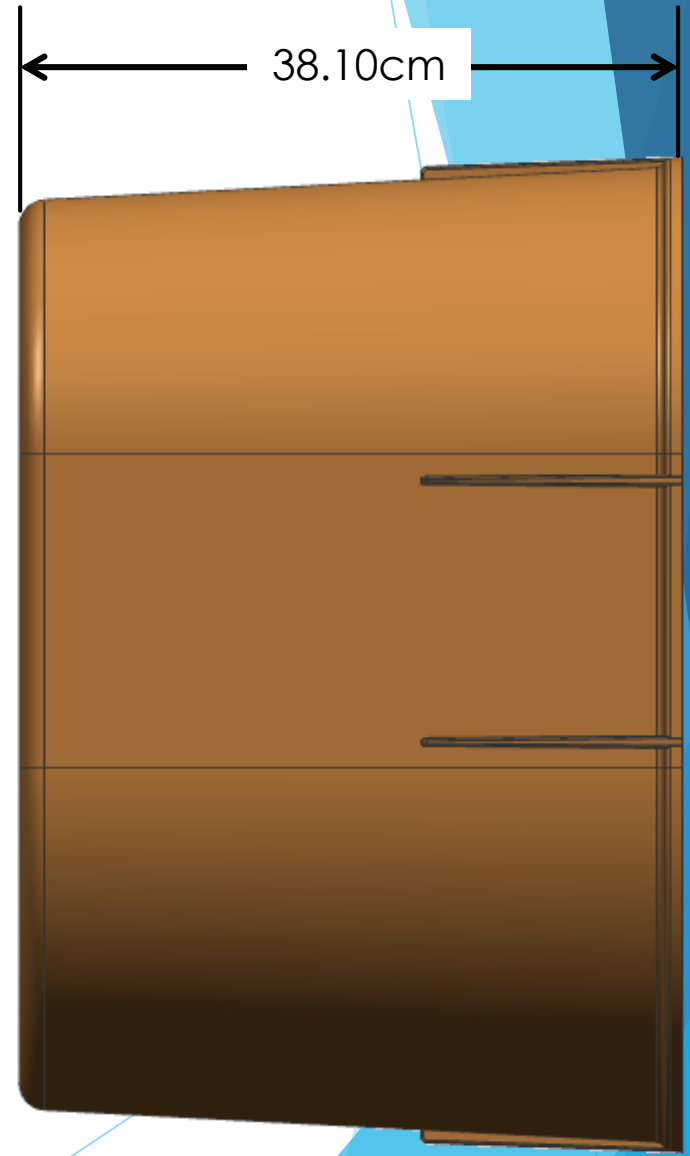
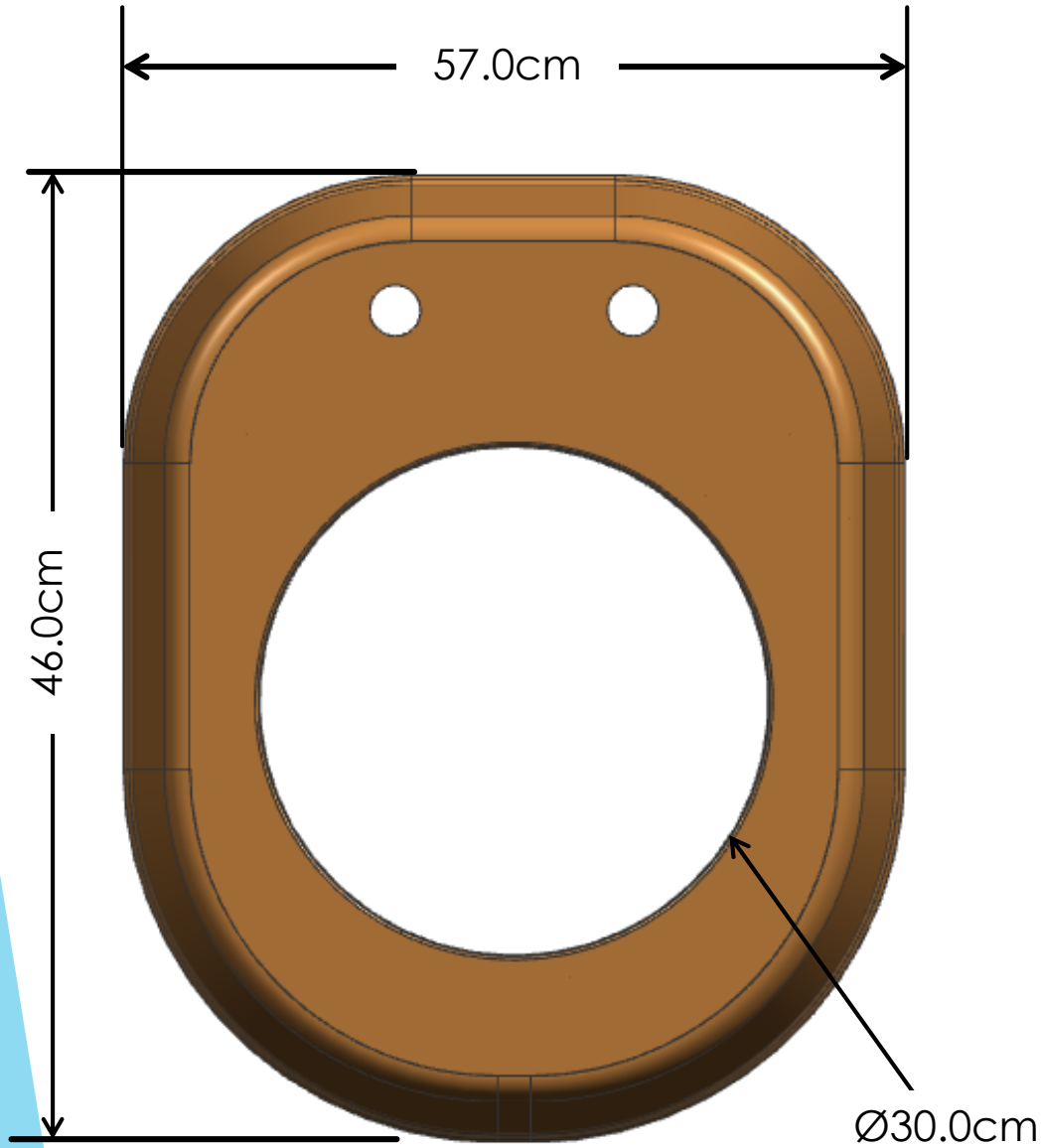
With profile for alignment
with the pent pail.

4.Propose Design

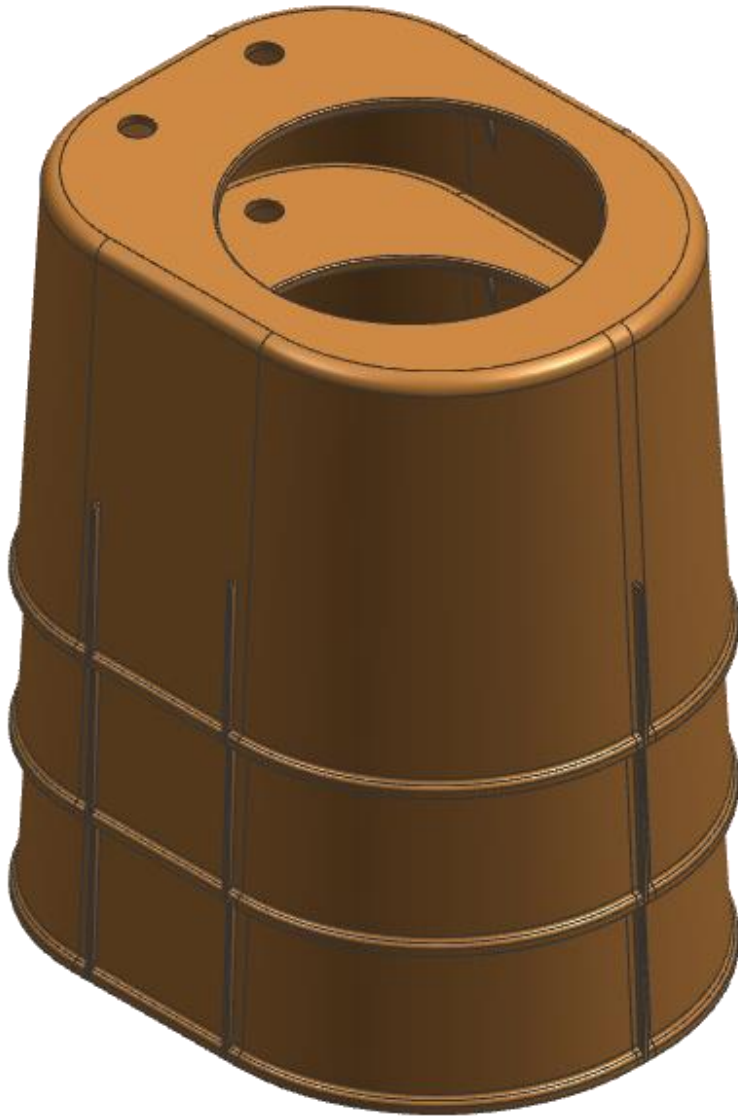


With rib profile for durability.

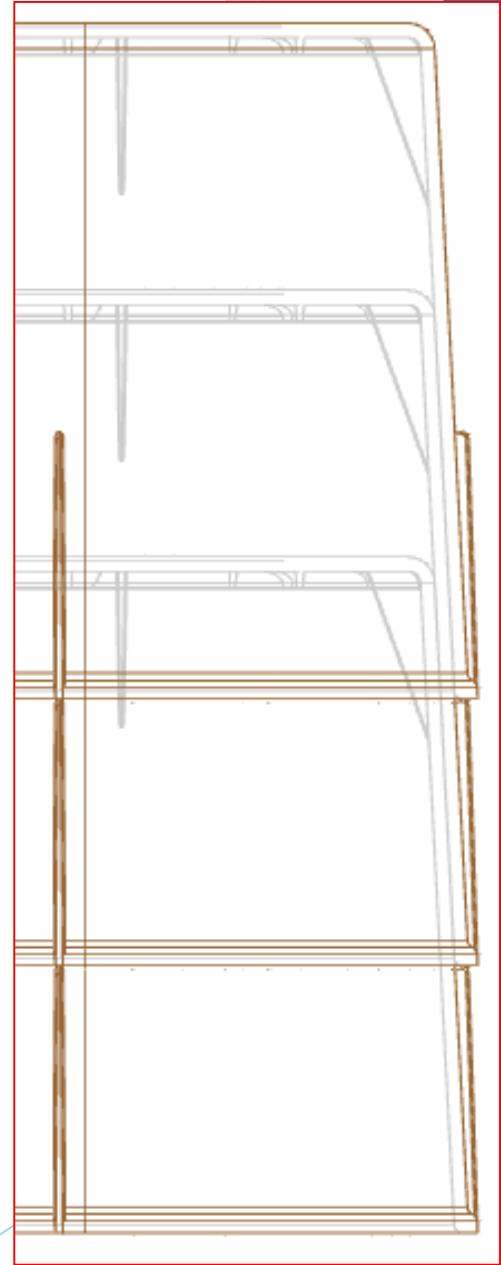
5. Propose Design



6. Propose Design



Product can be stack together.



THANK YOU

The background features abstract, overlapping geometric shapes in various shades of blue, ranging from light sky blue to deep navy blue. These shapes are primarily located on the right side of the frame, creating a modern, dynamic feel. The rest of the background is plain white.